



# PROVEN PERFORMER

## On-Premises Softmount Washer-Extractors SY65, SY80, SY105, SY135

### Features

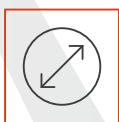
- Freestanding, high spin (up to 1165 RPM – SY65, SY80)
- Stainless steel top front panel, side panels
- Stainless steel drum and tub
- QED Select – fully programmable
- Patented soap hopper
- Large drain valve (Ø76 mm)
- Easy access to all vital parts from the front
- Large door opening for easy loading and unloading
- Perforated lifting ribs: more mechanical action and lower water consumption
- Eco washing programs – significantly reduces water and electricity consumption



EASY OPERATION



ERGONOMICAL CONSTRUCTION



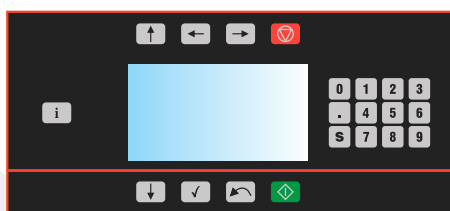
LARGE DOOR OPENING



LOW WATER CONSUMPTION

### Options

- Coin operated
- USB plug and Network cable connection (on the back panel)
- Liquid soap connection
- Liquid soap pumps
- Water recovery kit
- Steam heating version
- Drain pump (SY65, SY80)
- 3rd water inlet
- QED Assist - Laundry management software



Control panel (QED Select)



SY65

	<b>SY65</b>	<b>SY80</b>	<b>SY105</b>	<b>SY135</b>
<b>Innerdrum</b>				
Capacity 10:1 kg	6.5	8	11	14
Volume litres	65	75	105	135
Diameter mm	530	530	620	620
<b>Motor</b>				
Frequency controlled	Yes	Yes	Yes	Yes
<b>Drum speed</b>				
Wash r/pm	49	49	49	49
Extraction r/pm	1165	1165	1075	1075
G-factor	400	400	400	400
<b>Programmer</b>				
Type of control	QED Select	QED Select	QED Select	QED Select
<b>Cabinet</b>				
Stainless steel	Yes	Yes	Yes	Yes
<b>Heating</b>				
Electrical or Electrical additional kW	6	6	9	12
Steam bar	15 - 116	15 - 116	15 - 116	15 - 116
Steam bar	90	90	90	90
Steam bar	59	63	66	65
Steam bar	¾"	¾"	¾"	¾"
Steam bar	100 - 800	100 - 800	100 - 800	100 - 800
Steam bar	300 - 500	300 - 500	300 - 500	300 - 500
<b>Connection</b>				
Water inlet mm	19	19	19	19
Steam inlet mm	13	13	13	13
Compressed air inlet mm	n/a	n/a	n/a	n/a
Drain valve outer mm	76	76	76	76
Flow amount with drain valve l/min	210	210	210	210
Steam valve connection BSP	½"	½"	½"	½"
Steam pressure k-Pa	100 - 800	100 - 800	100 - 800	100 - 800
<b>Power</b>				
Electrical requirements (without heating element) V Hz	1x 240/50/1	1x 240/50/1	1x 240/50/1	1x 240/50/1
Full load amps (without heating element) A	6.6	6.7	9.8	10.1
Breaker (without heating element) A	10	10	16	16
Electrical requirements (with heating element) V Hz	3x 380-415V +N 50Hz	3x 380-415V +N 50Hz	3x 380-415V +N 50Hz	3x 380-415V +N 50Hz
Full load amps (with heating element) A	13.5	13.7	18.5	22.6
Breaker (with heating element) A	16	16	20	15
Heating element kW	6	6	9	12
<b>Transport data</b>				
Gross weight kg	180	200	235	275
Net weight kg	170	185	210	255
Dimensions H×W×D mm	1115×710×740	1115×710×790	1225×795×795	1225×795×945
Packaging dimension H×W×D mm	1245×750×840	1245×750×840	1345×835×840	1345×835×985
Volume m <sup>3</sup>	0.8	0.8	0.9	1.1

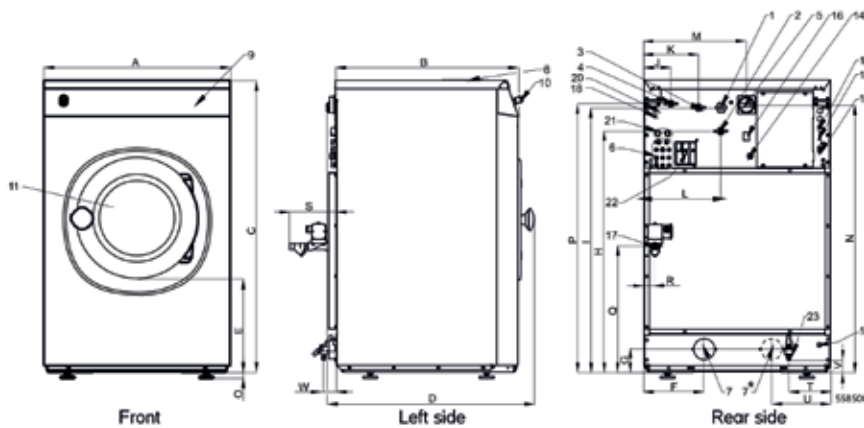


## Dimensions

	A	B	C	D	E	F	G	H	I	J	K	L	M	N	O	P	Q	R	S
<b>SY65</b>	710	646	1115	740	349	230	82	914	1004	113	218	293	390	1020	24	1019	480	42	180
<b>SY80</b>	710	696	1115	790	349	230	88	920	1010	113	218	293	390	1020	24	1025	480	42	180
<b>SY105</b>	795	696	1225	795	342	230	88	1030	1120	113	218	293	475	1130	24	1135	506	42	180
<b>SY135</b>	795	846	1225	945	342	230	88	1030	1120	113	218	293	475	1130	24	1135	506	42	180

	T	U	V	W
<b>SY65</b>	203	-	67	48
<b>SY80</b>	203	-	67	48
<b>SY105</b>	203	274	67	48
<b>SY135</b>	203	274	67	48

All measurements are in mm.



- 1 Electrical connection
- 2 Hot water
- 3 Cold water hard
- 4 Cold water soft
- 5 Main switch
- 6 Connection liquid soap
- 7 Drain: drain valve (pump), 1× $\phi$ 76 mm  
SY280 - drain valve or recycle valve, 1× $\phi$ 76 mm (on request)
- 8 Soap dispenser
- 9 Control panel
- 10 Button CENTRALSTOP
- 11 Door opening:  
SY65 and SY80 -  $\phi$ 330  
SY105 and SY135 -  $\phi$ 410
- 12 Fuses
- 13 USB port
- 14 Electrical connection to liquid soap pumps
- 15 PC programming connection (RS485)
- 16 Heating change-over switch (electrical heating, steam heating)
- 17 Steam connection (steam version) 1/2"
- 18 Steam valve connection (steam version)
- 19 Inlet of cable for discharge of water into the water recycle
- 20 Cable inlet - cable for control of the valve or pump of water from the water recycle
- 21 Inlet of water from the recycle (external diameter 19)
- 22 Air relieve
- 23 Drain valve 1/2", applicable for wash bath sample (on request)

